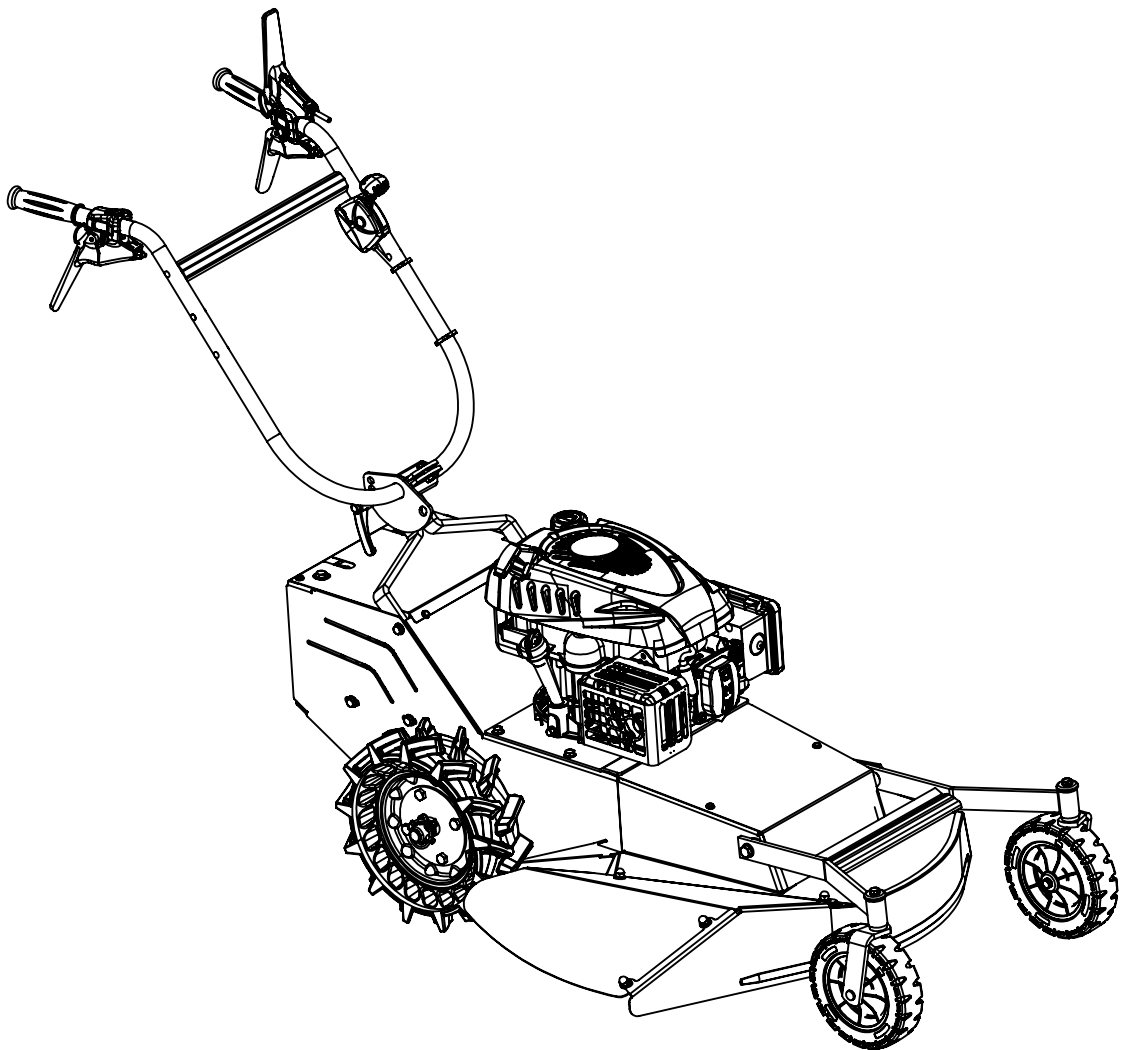
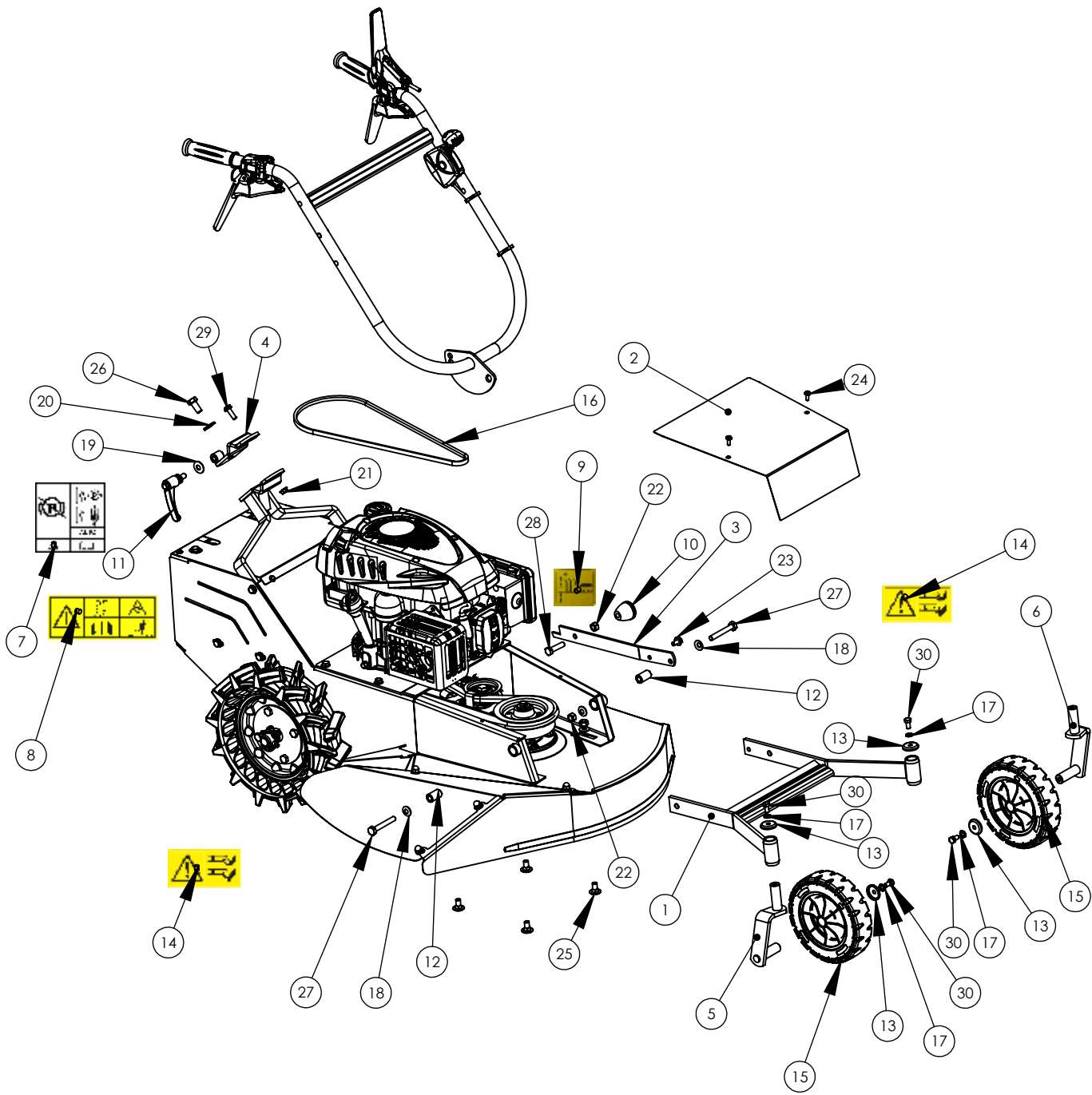


# Pièces de rechange Spare parts list

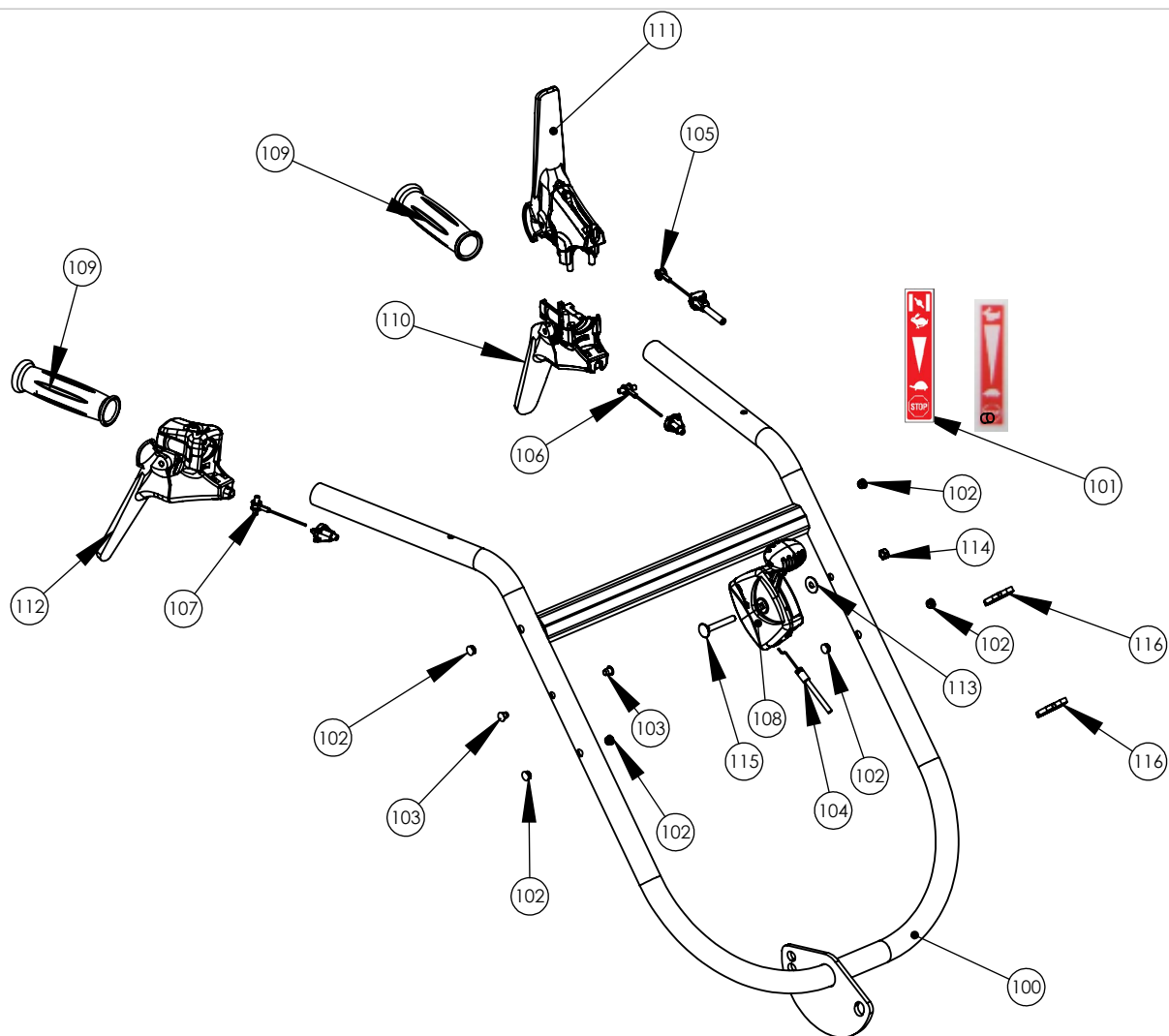
## **KE00\*\*07\*\***



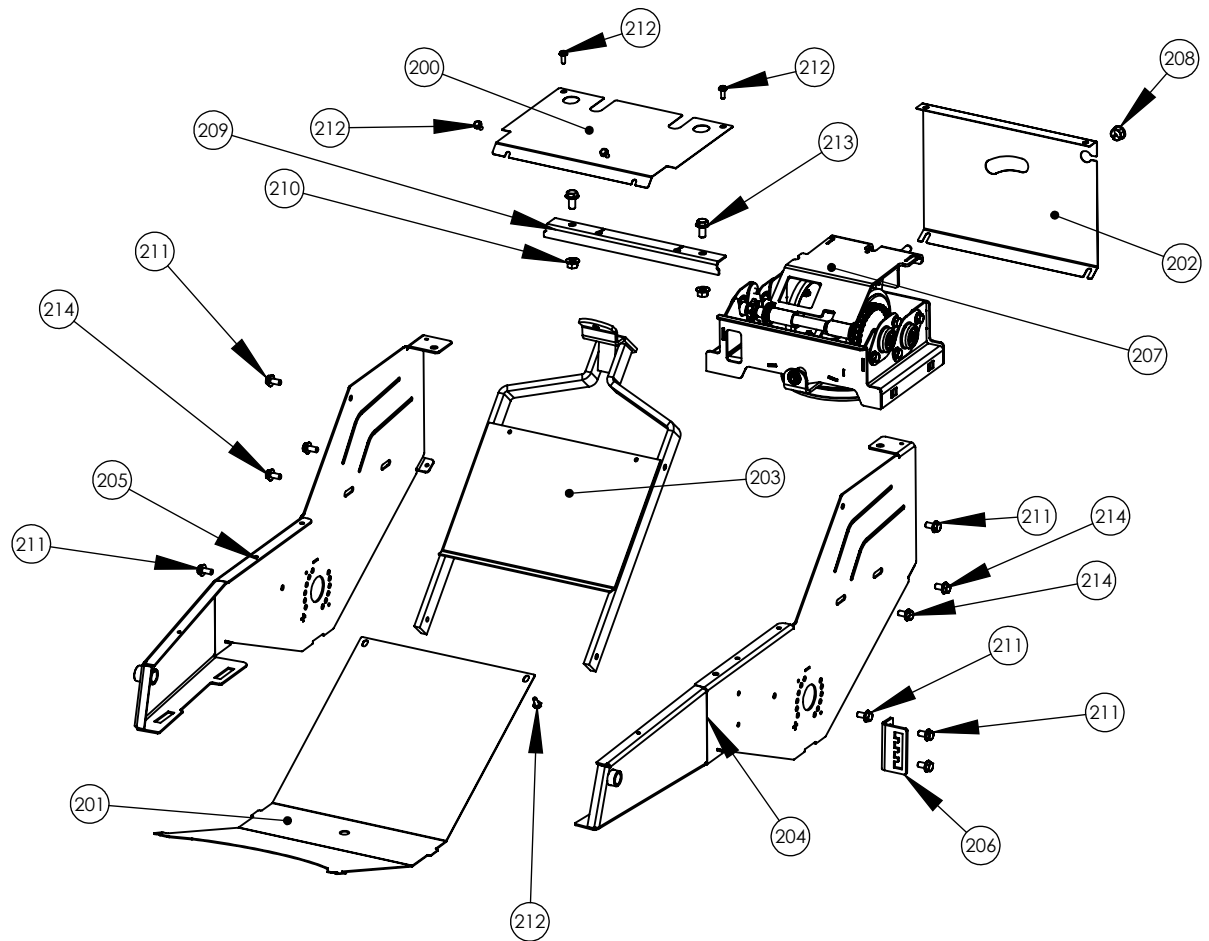
*FAUCHEUSE BROYEUSE  
BRUSH CUTTER*



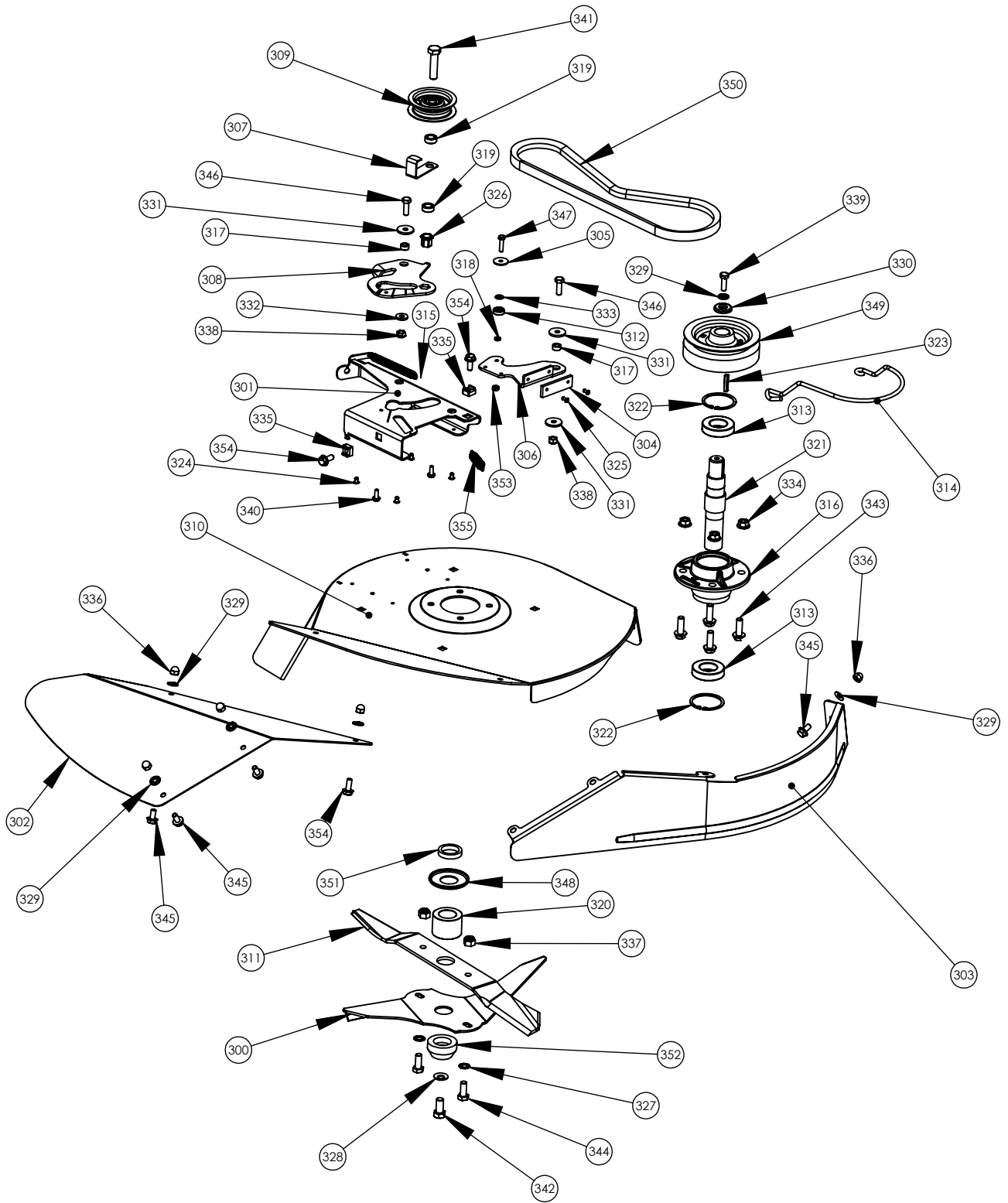
Rep N°	Ref	Désignation	Description	Qté
1	KE02071002	TRAIN AVT GRIS ALU	ALU GREY FRONT WHEEL SUPPORT	1
2	KE02070603	CAPOT AVANT ROUGE	RED FRONT COWER	1
3	KE02070203	LEVIER DE RELEVAGE ZN	WORK LEVEL SELECTION TOOL	1
4	KE02011617	PLAQUE SERRAGE MANCHERON	HANDLEBAR CLAMP PLATE	1
5	KE02010206	CHAPE ROUE DROITE ZN	RIGHT AXLE FRONT WHEEL	1
6	KE02010202	CHAPE DE ROUE GAUCHE ZN	LEFT AXLE FRONT WHEEL	1
7	K503000042-	ETIQ "PRECAUTIONS EMPLOI"	"Safety instructions" label	1
8	K503000041	AUTOCOLLANT COMMANDE DE FREIN	STICKER "BRAKE LEVER"	1
9	K503000023-	AUTOCOLLANT HAUTEUR DE COUPE	STICKER "WORK LEVEL"	1
10	K341000003	BOULE PLASTIQUE 40 * 10 NOIRE	BLACK PLASTIC BALL 40 * 10	1
11	K307010006	POIGNEE DEBRAYABLE M10	HANDLE FOR HANDLEBAR LEVEL SELECTION	1
12	K302020017	ENTRETOISE ARTICULATION	ROUND SPACER	2
13	K302000001	RONDELLE PROTECTION AXE ROUE AVANT	PROTECT WASHER	4
14	0503000006	AUTO-COLLANT DANGER LAME 78 X	Label "danger sticker"	2
15	0309000033	ROUE DIAM200 ALS 20 MOY LG57-	RT wheel Ø200 bore 20	2
16	0306030096	COURROIE XPA1107	BELT XPA1107	1
17	0300440801	Rondelle éventail 8z	External tooth lock washer Ø8 z	4
18	0300431003	RONDELLE CONTACT 10 BIC NFE	Elastic washer 10 Bic	8
19	0300431002	RONDELLE CONTACT M 10 LARGE	WASHER D 10	1
20	0300401201	RONDELLE PLATE M 12X27X2.5 Z	PLATE WASHER M 12X27X2.5 Z	1
21	0300260801	ECROU HM 8 ZEMB CR DIN 6923-8	NUT H M8 Z NOTCHED SHOULDER	1
22	0300201002	ECROU H.U. M 10 Z DIN 934	NUT HM 10Z	7
23	0300090807	VIS H 8x16 Z EMB CR	SCREW H M8X16 Z	1
24	0300090602	VIS AUTOTAR TH A EMB 6 X 16 Z	Screw HM6x16 z Self-tapping	2
25	0300081001	VIS TRCC 10X 20 Z 80KG	SCREW TRCC 10 x 20	4
26	0300011202	Vis HM12x25 Z	Screw HM 12x25 Z	1
27	0300011047	VIS TH 10 x 70 8.8 ZN DIN 933	SCREW H M10 x70 8.8 ZN DIN 933	2
28	0300011004	VIS H 10 X 40 Z NFEN 24017	SCREW HM 10X40Z	1
29	0300010838	VIS H 8x25 Z EMB CR DIN 6921	SCREW H 8x25 Z DIN 6921	1
30	0300010801	VIS H 8 X 16 Z DIN933/6.8	Screw HM 8x16 z	4



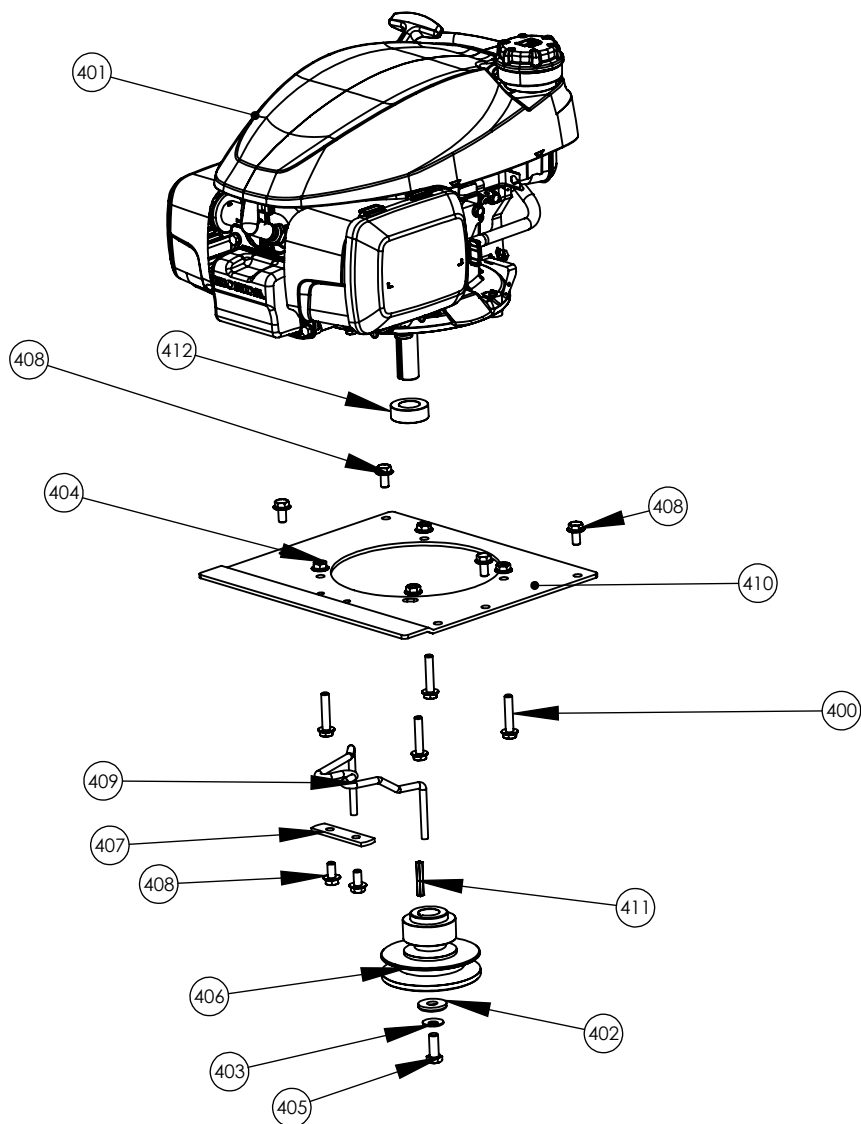
Rep N°	Ref	Désignation	Description	Honda	RV 225
100	KE02071001	MANCHERON GRIS ALU	GREY HANDLEBAR	1	1
101	K503000031-	AUTOCOLLANT ACCELERATEUR STOP SANS STARTER	STICKER "ENGINE SPEED VARIATION" WITHOUT STARTER	-	1
101	K503000005-	AUTOCOLLANT ACCELERATEUR STOP + STARTER	STICKER "SPEED VARIATION" WITH STARTER	1	-
102	K341000030	CAPUCHON PLASTIQUE Ø8	CAP Ø8	6	6
103	K341000011	OBTURATEUR 10 x 7 x 6.5	CAP 10 X 7 X 6.5	2	2
104	K308040011	CABLE COMMANDE DES GAZ	THROTTLE CABLE	1	1
105	K308020037	CABLE EMBR DE LAME	BLADE CLUTCH CABLE	1	1
106	K308010048	CABLE MAR	REVERSE CABLE	1	1
107	K308010047	CABLE EMBR AVANCE	FORWARD CABLE	1	1
108	K307020010	POIGNEE GAZ	THROTTLE LEVER	1	1
109	K307020005	POIGNEE CAOUTCHOUC DIAM 25	GRIP	2	2
110	0307020034	MANETTE MAR LMS45BB0T.MS-MB0	REVERSE LEVER	1	1
111	0307020033	MANETTE EMBR DE LAME	CLUTCH LEVER	1	1
112	0307020032	MANETTE MAV LMS45CB00.MB-MB0	FORWARD LEVER	1	1
113	0300400601	RONDELLE 6 X 18 X 1.2 Z	Washer M6x18x1.2 Z	1	1
114	0300210602	ECROU FREIN M 6 Z DIN 985-8	BLOCKING NUT M 6 Z	1	1
115	0300080610	VIS TRCC 6 X 45/20 Z Din603	SCREW TRCC 6 X 45 Z	1	1
116	0301060020	COLLIER PLASTIQUE CORLING	COLLAR	2	2



Rep N°	Ref	Désignation	Description	Qté
200	KE02071602	CAPOT ARR SUP NOIR	BLACK COWER	1
201	KE02071605	CAPOT INF NOIR	BLACK LOWER COWER	1
202	KE02071604	CAPOT ARR NOIR	BLACK BACK COVER	1
203	KE02071601	SUPPORT MANCHERON NOIR	BLACK HANDLEBAR SUPPORT	1
204	KE02070602	FLANC GAUCHE ROUGE	RED LEFT CARTER	1
205	KE02070601	FLANC DROIT ROUGE	RED RIGHT CARTER	1
206	KE02060202	CREMAILLERE PLIEE ZN	CUT ADJUST LEVEL RACK	1
207	KE01070001	TRANSMISSION MODULAIRE	MODULAR TRANSMISSION	1
208	0341000159	PASSE CABLE POUR TOLE EP 3	WIRE PROTECT	1
209	0304000679	TOLE ARRET GAINE BV	SHEATH STOP	1
210	0300261001	ECROU HM 10 ZEMB CR DIN 6923	Nut H M10 notched shoulder	2
211	0300090807	VIS H 8x16 Z EMB CR	SCREW H M8X16 Z	6
212	0300090602	VIS AUTOTAR TH A EMB 6 X 16 Z	Screw HM6x16 z Self-tapping	6
213	0300011027	VIS H 10x20 Z EMB CR DIN 6921	SCREW H 10x20 Z DIN 6921	2
214	0300010815	VIS H 8x16 Z EMB CR DIN 6921	SCREW H M8X16 Z	4



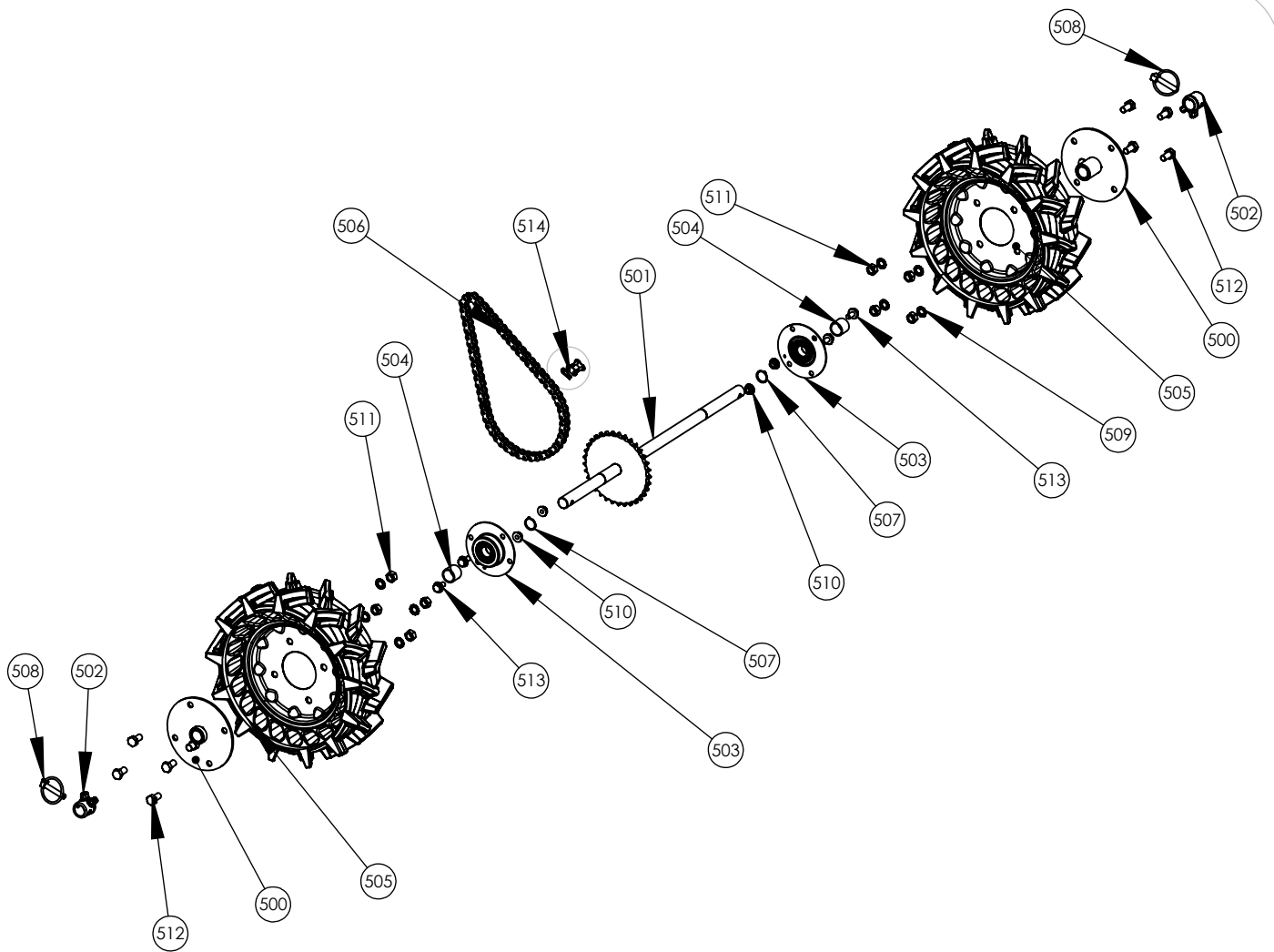
Rep N°	Ref	Désignation	Description	Qté
300	KP02011603	EJECTEUR NOIR	BLACK VENTILATING PLATE	1
301	KP02010208	PLATINE EMBRAYAGE EZ	CLUTCH SUPPORT	1
302	KN02011903	TÔLE ENDAINEUR GRIS RAL 7021	GREY RAL 7021 SIDE DEFLECTOR	1
303	KN02011902	BANDEAU TONDEUSE GRIS RAL 7021	GREY RAL 7021 FRONT DEFLECTOR	1
304	KM04020001	GARNITURE DE FREIN	BRAKE	1
305	KM02020205	RONDELLE PLATE 6.2 x 25 x 2 ZN	WASHER 6.2 x 25 x 2	1
306	KM02020204	LEVIER PORTE FREIN	BRAKE LEVER	1
307	KM02020203	PLAT GALET DE TENSION	PLATE OF CLUTCH RUNNER	1
308	KM02020202	LEVIER EMBR DE LAME	CLUTCH LEVER	1
309	KE03020001	GALET GORGE PLATE LARGEUR 24	RUNNER	1
310	KE02061901	COUPOLE GRIS ANTHACITE RAL7021	BLADE GUARD RAL 7021	1
311	K320020031	LAME DE 530	BLADE 530 MM	1
312	K306010043	ROULEMENT 2RS 6 x 19 x 6	BEARING 1 2RS 6 x 19 x 6	1
313	0306010069	ROULEMENT 6006 2RS DDU	Bearing 6006 2RS DDU	2
314	K305030020	GUIDE COURROIE	BELT GUIDE	1
315	K305010030	RESSORT RAPPEL	SPRING	1
316	0302030025	PALIER COUPELLE xPUB Lx F	Blade guard bearing	1
317	K302020111	ENTRETOISE 8 x 14 x 7.3	RUNNER SPACER	2
318	K302020110	ENTRETOISE 6.2 x 10 x 3	SPACER 6.2 x 10 x 3	1
319	K302020109	ENTRETOISE 12.2 x 20 x 8	RUNNER SPACER	2
320	K302020108	ENTRETOISE 50x30x36	SPACER 50x30x36	1
321	K302010117	ARBRE LAME	BLADE SHAFT	1
322	0301070009	CIRCLIPS INTERIEUR 55 DIN472-5	INTERNAL RETAINING RING Ø55	2
323	0301040003	CLAVETTE 5 X 5 X 30 BTS	Key 5x5x43	1
324	0301000028	RIVET AVEUGLE TETE RONDE PLATE	RIVET STAINLESS STEEL 4.8x12	4
325	0301000029	RIVET ALU / ACIER TP 4 x 12	RIVET ALU / STEEL TP 4 X 12	2
326	0300601202	RIVKLE BOLLHOF M12 HEXA	RIVKLE BOLLHOF M12	1
327	0300441001	RONDELLE EVENTAIL M10 DIN 6798	WASHER AZ 10 ZN	2
328	0300431203	RONDELLE CONTACT M 12 X 24	Elastic washer 12	1
329	0300430803	RONDELLE CONTACT M 8 SERIE	CONTACT WASHER 8	6
330	0300411101	RONDELLE SPECIALE 11X30X5 Z	Washer 11x30x5z	1
331	0300400806	RONDELLE PLATE 9 x 28 x 3	PLATE WASHER 9 X 28 X 3	3
332	0300400805	RONDELLE PLATE ZN 8 x 20 x 3	WASHER 8 x 20 x 3	1
333	0300400602	RONDELLE PLATE M 6X14X1,2 Z	PLATE WASHER M 6X14X1,2 Z	1
334	0300261001	ECROU HM 10 ZEMB CR DIN 6923	Nut H M10 notched shoulder	4
335	0300230803	Ecrou cage M8 4808-B-4	NUT RAPID M8	2
336	0300220801	ECROU BORGNE M8 Z DIN 1587	Cap nut M8z	5
337	0300211001	ECROU FREIN M 10 Z DIN 985/8	BLOCKING NUT M 10 Z	2
338	0300210802	ECROU FREIN M 8 Z DIN 985/8	BLOCKING NUT HM 8 Z DIN 985/8	2
339	0300090801	VIS A GAUCHE 8X25 Z	Screw H M8x25 z LH	1
340	0300090602	VIS AUTOTAR TH A EMB 6 X 16 Z	Screw HM6x16 z Self-tapping	2
341	0300011227	VIS HM 12 x 50 ZN CL8.8	SCREW H 12 X 50	1
342	0300011211	VIS HM 12x25 N CI 10.9	Screw HM 12x25 N CI 10.9	1
343	0300011030	VIS H 10x30 Z EMB CR DIN 6921	SCREW H 10x20 Z DIN 6921	4
344	0300011008	VIS H 10 X25 Z DIN 933/8/8	SCREW H M10x25 Z	2
345	0300010815	VIS H 8x16 Z EMB CR DIN 6921	SCREW H M8X16 Z	4
346	0300010828	VIS H M8x25 CL8.8 ZN DIN 933	SCREW HM 8 X 25 ZN DIN 933	2
347	0300010616	VIS H 6 X 25 Z	Screw HM6x25	1
348	5504000032	RONDELLE PROTEC ARBRE COUP	Cup shaft protection washer	1
349	0306060012	POULIE COUPELLE L/GT/GTP	PULLEY	1
350	0306030099	COURROIE DE LAME LB40	BLADE V-BELT LB40	1
351	0302020043	RONDELLE LAME EP8 ZN	Spacer 40 x 30,5 x 8	1
352	0302020041	RONDELLE DE SERRAGE	Blocking washer	1
353	0300210602	ECROU FREIN M 6 Z DIN 985-8	BLOCKING NUT M 6 Z	1
354	0300010816	VIS H 8x20 Z EMB CR	SCREW H M8X20 Z	3
355	K305010021	RESSORT DE RAPPEL	SPRING	1



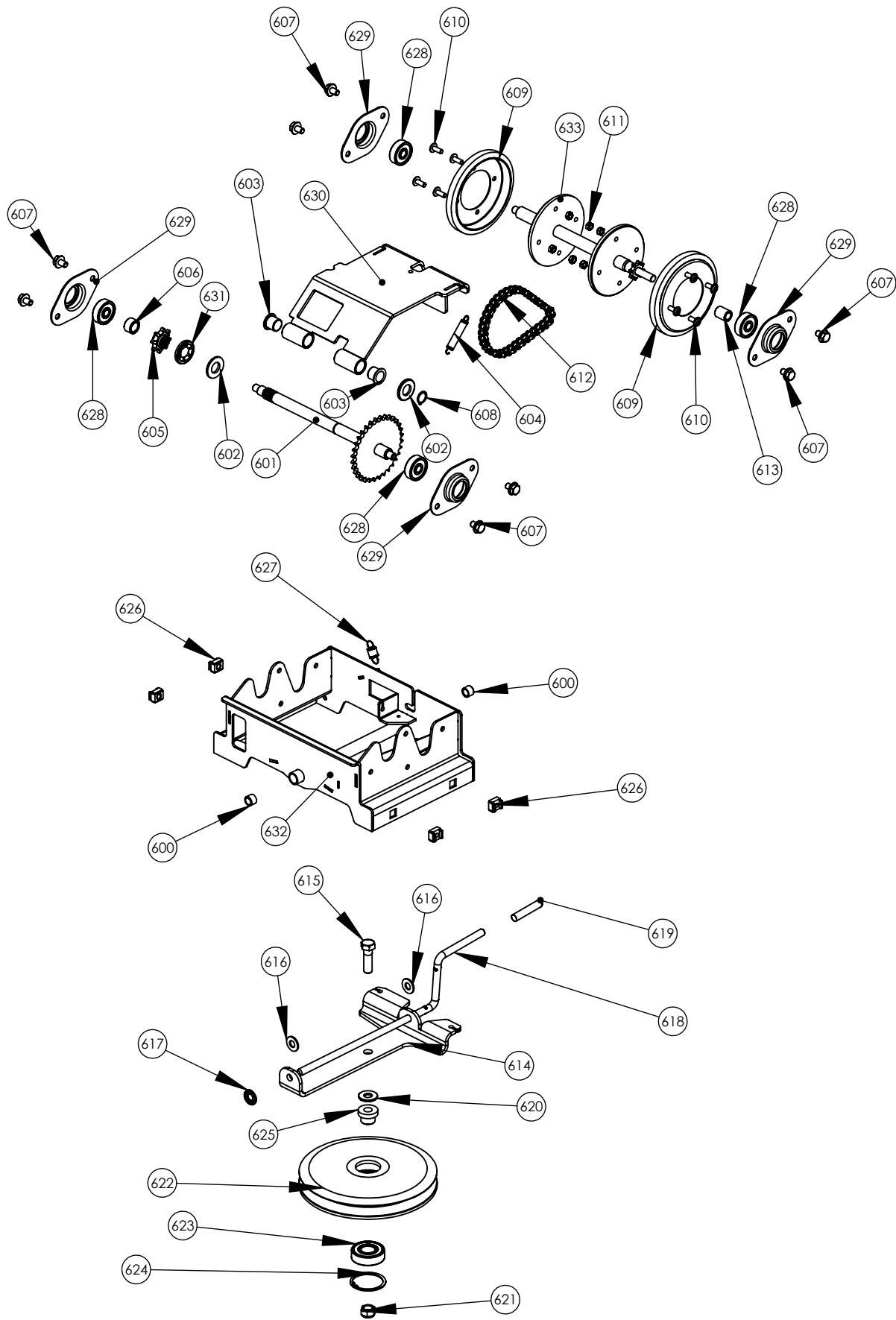
Rep N°	Ref	Désignation	Description	RV 225	HONDA
400	0300010816	VIS H 8x20 Z EMB CR	SCREW H M8X20 Z	3	-
400	0300010817	VIS H 8x40 Z EMB CR DIN 6921	SCREW H M8 X 40	2	4
401	0330091010	RV225		1	-
401	0330011052	HONDA GCVx200 xNOIRx Vol Lourd		-	1
402	0300411101	RONDELLE SPECIALE 11X30X5 Z	Washer 11x30x5z	1	1
403	0300431003	RONDELLE CONTACT 10 BIC NFE	Elastic washer 10 Bic	1	1
404	0300260801	ECROU HM 8 ZEMB CR DIN 6923-8	NUT H M8 Z NOTCHED SHOULDER	3	4
405	0300060302	VIS TH 3/8 24 UNF LONG 25 Z	Screw 3/8 TH24 UNF Lg25z	1	1
406	K302030120	POULIE MOTEUR	MOTOR PULLEY	1	1
407	KE02020211	PLAT FIXATION PLAQUE DE DEB FIL LASER	BELT GUIDE PLAT FIXATION	1	1
408	0300090807	VIS H 8x16 Z EMB CR	SCREW H M8X16 Z	5	6
409	K305030018	PLAQUE DE DEBRAYAGE	CLUTCH PLATE	1	1
410	KE02071603	SUPPORT MOTEUR NOIR	BLACK ENGINE SUPPORT	1	1
411	0301040051	CLAVETTE B.DROITS 4,76X4,76X37	KEY 4.76 X 4.76 X 37	1	1
412	K302020031	ENTRETOISE POULIE MOTEUR HONDA	ROUND SPACER FOR ENGINE PULLEY	-	1

\*Le service après vente : s'adresser au réseau motoriste concerné  
For the engine's spare parts, please contact the motor's retailers network





Rep N°	Ref	Désignation	Description	Qté
500	KE02071606	MOYEU DE ROUE NOIR	BLACK HUB WHEEL	2
501	KE02070202	ESSIEU 33 DENTS	WHEEL SHAFT 33 THEETH	1
502	K302000005	BUTEE D'ENTRAINEMENT DE ROUE	3/4 TURN NUT	2
503	5201020019	PALIER ASSEMBLE D=20	BEARING Ø20	2
504	4502023710	ELARGISSEUR DE ROUE NOIR	BLACK WHEEL SPACER	2
505	0309000089	ROUE AGRAIRE 330 x100	WHEEL 330 x 100	2
506	0306020052	CHAINE ISO 08B-1 57 MAIL 12.7	CHAIN ISO 08B-1 57 LINKS	1
507	0301070007	CIRCLIPS EXTERIEUR 20 / 0437	Circlips E 20	2
508	0301010009	GOUPILLE CLIPS 8X42	Cotter-pin	2
509	0300441001	RONDELLE EVENTAIL M10 DIN 6798	LOCK-WASHER M10	8
510	0300260801	ECROU HM 8 ZEMB CR DIN 6923-8	NUT H M8 Z NOTCHED SHOULDER	4
511	0300201002	ECROU H.U. M 10 Z DIN 934	NUT HM 10Z	8
512	0300011012	VIS H 6/8 10 X 20 Z DIN933/6.8	Screw H M10x20 z	8
513	0300010815	VIS H 8x16 Z EMB CR DIN 6921	SCREW H M8X16 Z	4
514	0001000378	ATTACHE RAPIDE 12.7 N 10.08B	Quick fastener (12.7)	1



Rep N°	Ref	Désignation	Description	Qté
600	0341000145	BAGUE JSM-1014-10	BEARING JSM-1014-10	2
601	0302010225	ARBRE SORTIE TRANS MOD	Output shaft	1
602	0300401601	RONDELLE PLATE M16 17x32x3 NFE	PLATE WASHER M16	2
603	0341000146	PALIER JFM-1618-16	BEARING JFM-1618-16	2
604	0305010040	RESSORT DE RAPPEL	SPRING	1
605	0306050016	PIGNON 8 DTS 12.7 SIMPLE	PIGNON 8 TOOTH 12.7	1
606	0302020259	ENTRET 14X20X11.8	SPACER 14x20x11.8	1
607	0300090809	VIS H 8x12 Z EMB CR	SCREW H M8X12 Z	8
608	0301070024	CIRCLIPS EXTERIEUR 16 / 0437	CIRCLIPS E16	1
609	0306060030	RONDELLE DE FRICTION SURMOULEE	OVERMOLDED FRICTION WASHER	2
610	0300110607	VIS-WN7380/2-010.9-TX30-M6X16	Screw Torx M6x16	8
611	0300210602	ECROU FREIN M 6 Z DIN 985-8	BLOCKING NUT M 6 Z	8
612	0306020024	CHAINE ISO 06B-1 PAS 9.525	CHAIN ISO 06B-1 PITCH 9.525	1
613	0302020257	ENTRET 10.5X16X19.8	SPACER 10.5X16X19.8	1
614	5202000205	BALANCIER TRANS MOD ZN	WALKING BEAM MOD TRANS	1
615	0300011203	VIS H 12 X 40 Z DIN 933/8.8	Screw HM 12x40z	1
616	0300401002	RONDELLE PLATE M 10X22X2 Z	PLATE WASHER M 10X22X2 Z	2
617	0300461001	RONDELLE STARLOCK Ø10	Starlock washer Ø10	1
618	0305030047	MANETTE DE FREIN TRANS MOD V2	BRAKE LEVER	1
619	0341000024	EMBOUT TYPE A -D9 LG 50 NOIR	End piece length: 50	1
620	0300401201	RONDELLE PLATE M 12X27X2.5 Z	PLATE WASHER M 12X27X2.5 Z	1
621	0300211201	ECROU FREIN M 12 Z DIN 985/8	BLOCKING NUT M 12 Z	1
622	0303010002	POULIE OSCILLANTE TRANS MOD	OSCILLATING PULLEY	1
623	0306010035	ROULEMENT 6204 DDU EMQV1	6204 DDU EMQV1 Ball-Bearing	1
624	0301070006	CIRCLIP INTERIEUR 47 DIN472-47	INTERNAL RETAINING RING	1
625	0302010104	AXE DE POULIE OSCILLANTE	Oscillating pulley axle	1
626	0300230803	Ecrou cage M8 4808-B-4	NUT RAPID M8	4
627	0305010039	RESSORT RAPPEL	SPRING	1
628	0306010050	ROULEMENT 6300 2RS	BALL BEARING 6300 2RS	4
629	0303000047	PALIER ROULEMENT DXT 35 EP 11	BEARING RLT 6300	4
630	5202000206	FREIN TRANS MOD V2	Modular transmission brake	1
631	0300461601	RONDELLE STARLOCK DIA 16	STARLOCK WASHER D16	1
632	5202003703	SUPPORT BV ASSEMBLE V2 NOIR	BLACK ASSEMBLED SUPPORT V2	1
633	KE02070201	ARBRE TRANS MOD	SHAFT	1